

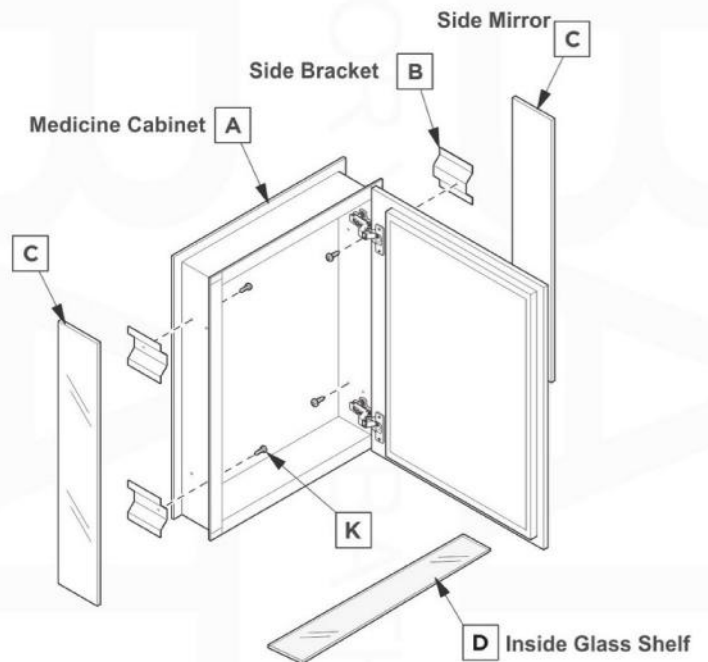
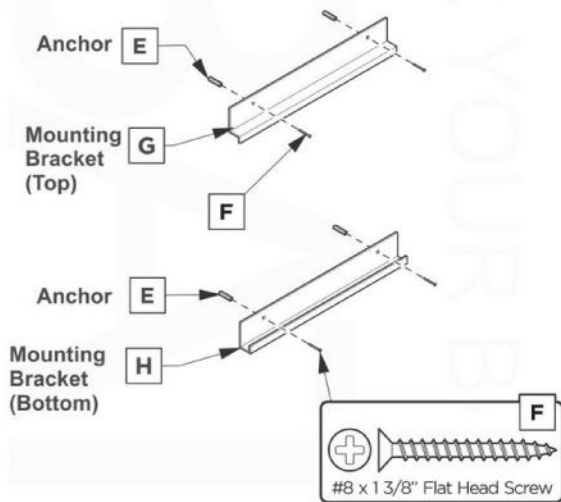
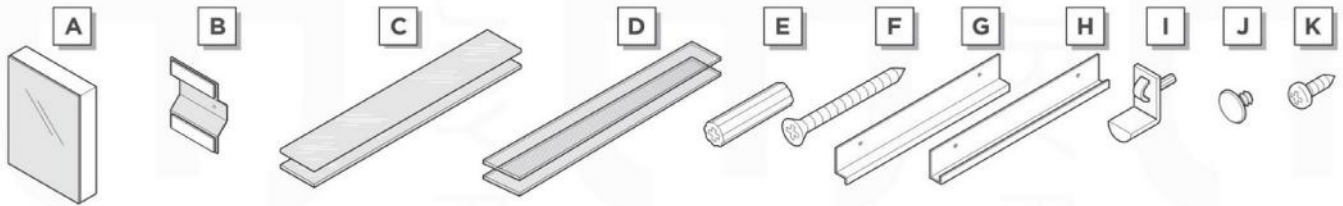
MIRRORED MEDICINE CABINET

MEDICINE CABINET INSTALLATION GUIDE

Tools Required for Assembly



Supplied Parts



WARNING:

Risk of property damage. Use anchors rated for the load weight of this product. Refer to the anchor manufacturer's instructions.

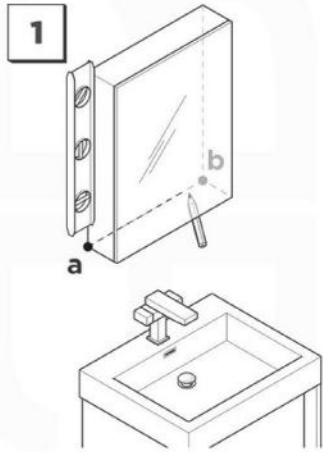


DANGER:

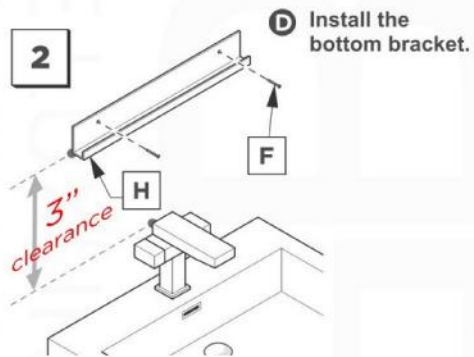
Risk of electric shock. Avoid existing electrical wiring or plumbing when mounting this product to the wall.

MEDICINE CABINET INSTALLATION GUIDE

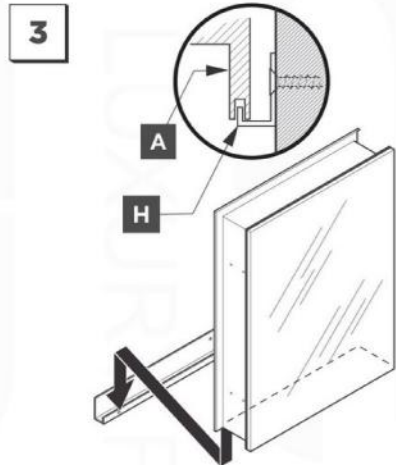
Surface Mount Installation



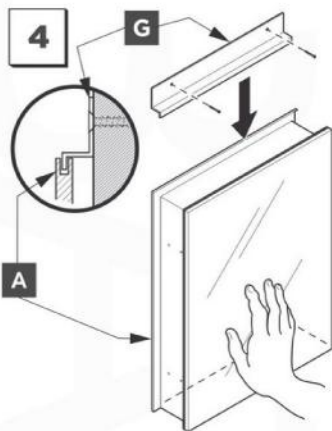
Level and mark the medicine cabinet location from point a to point b.



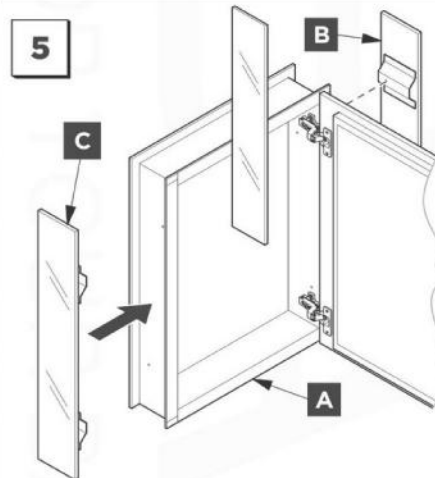
Consult an expert for the proper screw/boots to use when attaching to various wall constructions. Screws provided do not attach to all wall construction types.



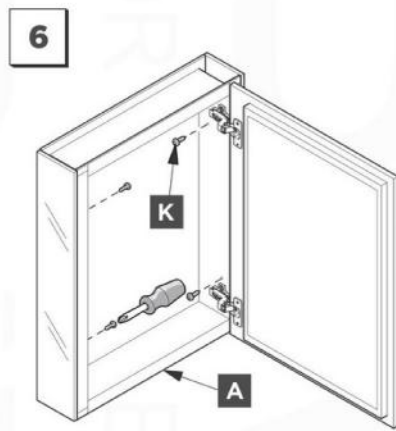
With assistance, rest the cabinet on the mounting bar and hold in place.



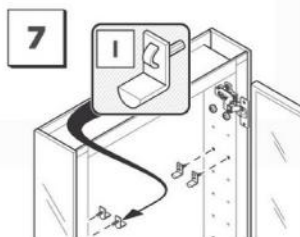
Hold the Cabinet then fit the top bracket (G) on the top of the cabinet then attach the bracket to the wall.



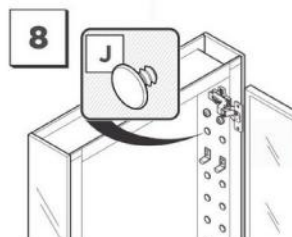
Align mirrored side panel (C) with each side of the cabinet.



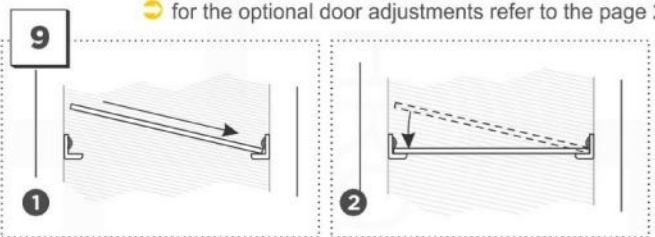
Secure mirrored side panels with provided screws (K) using screwdriver.



Push and twist the snap-in pins (I) into the place.



Fill remaining holes with the plugs (J)

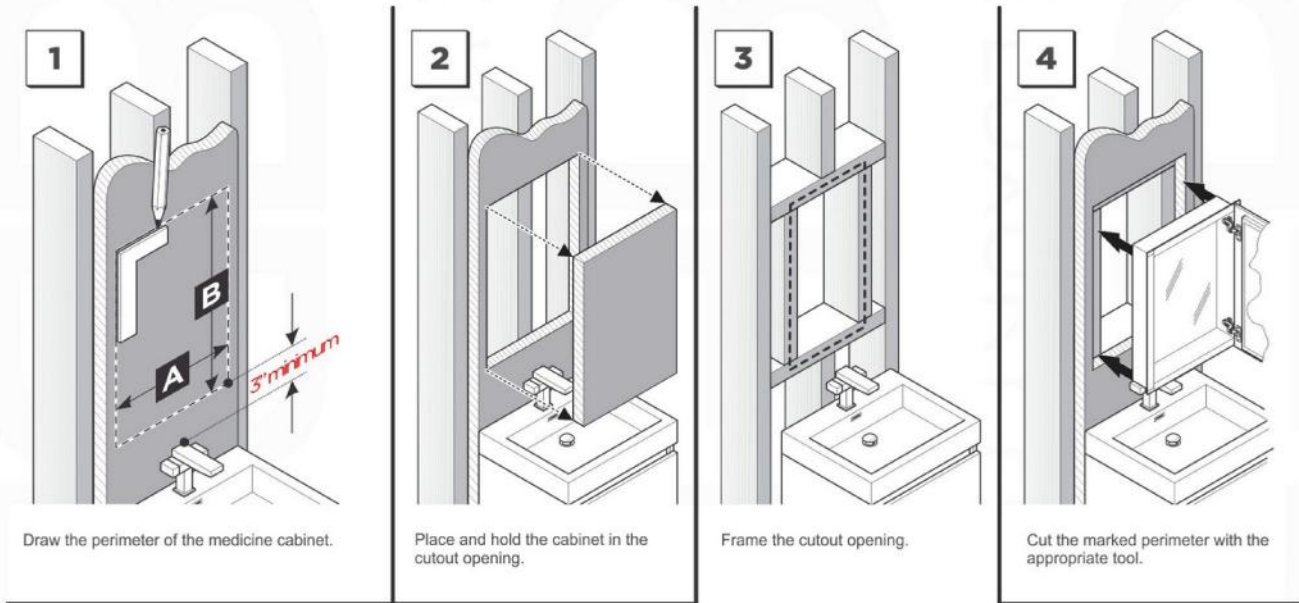


Push a side of the shelf (D) into left or right pins (I)

Snap the shelf (D) down into the opposite side.

MEDICINE CABINET INSTALLATION GUIDE

Recess-Mount Installation



4 STEPS TO FRAME THE CUTOUT OPENING

